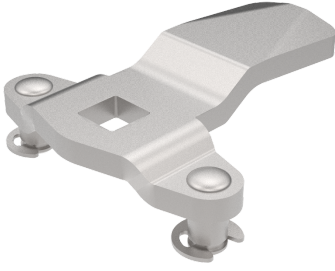


VISION THREE-POINT CAMS STEEL



Three-point cams without projection for swing handles. Stroke: 20 mm. Supplied with E-clips. In the drawing and table below, A is the inside face to engagement point of cam.

MATERIAL

Cam: Steel, zinc plated

RELATED PRODUCTS

Similar products: 1-008.50

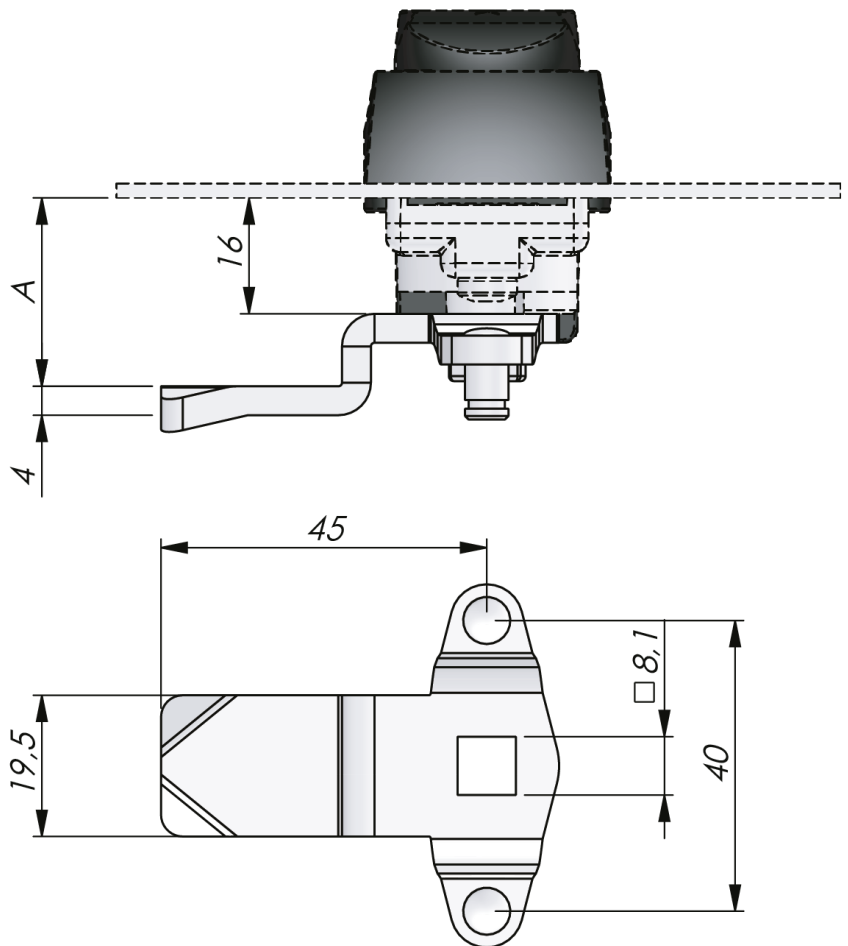
Other materials: 1-008.50

Use the Index Code at industrilas.com

TECHNICAL INFORMATION

Other cam sizes and cam versions are available on request.

Please note that all cams with dimension A is less than 16 mm can only be used in combination with swing handles (see product ID 1-010 and 1-020).



P/N	Description	Material	A
2321S01PU	3-point cam	Steel	2
2321S02PU	3-point cam	Steel	4
2321S03PU	3-point cam	Steel	6
2321S04PU	3-point cam	Steel	8
2321S05PU	3-point cam	Steel	10
2321S07PU	3-point cam	Steel	12
2321S08PU	3-point cam	Steel	14
2321S09PU	3-point cam *	Steel	16
2321S10PU	3-point cam	Steel	18
2321S11PU	3-point cam	Steel	20
2321S12PU	3-point cam	Steel	22
2321S14PU	3-point cam	Steel	24
2321S15PU	3-point cam	Steel	26
2321S16PU	3-point cam	Steel	28
2321S17PU	3-point cam	Steel	30
2321S18PU	3-point cam	Steel	32
2321S20PU	3-point cam	Steel	34
2321S21PU	3-point cam	Steel	36
2321S22PU	3-point cam	Steel	38
2321S23PU	3-point cam	Steel	40
2321S24PU	3-point cam	Steel	42
2321S27PU	3-point cam	Steel	48
2321S28PU	3-point cam	Steel	46
2321S29PU	3-point cam	Steel	44

* P/N 2321S09PU is with straight cam.